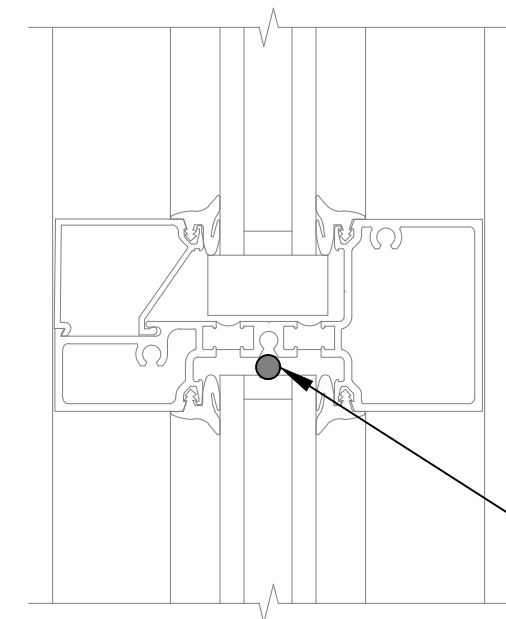


IGU CABLE CONNECTION TO IGU SWC IN GLASS POCKET

MIN. 7/16" DIA. HOLE FOR IGU CABLE TO FILE ALL EDGES SMOOTH. INSTALL SILICONE GROMMET, BACKFILL WITH SILICONE SEALANT.

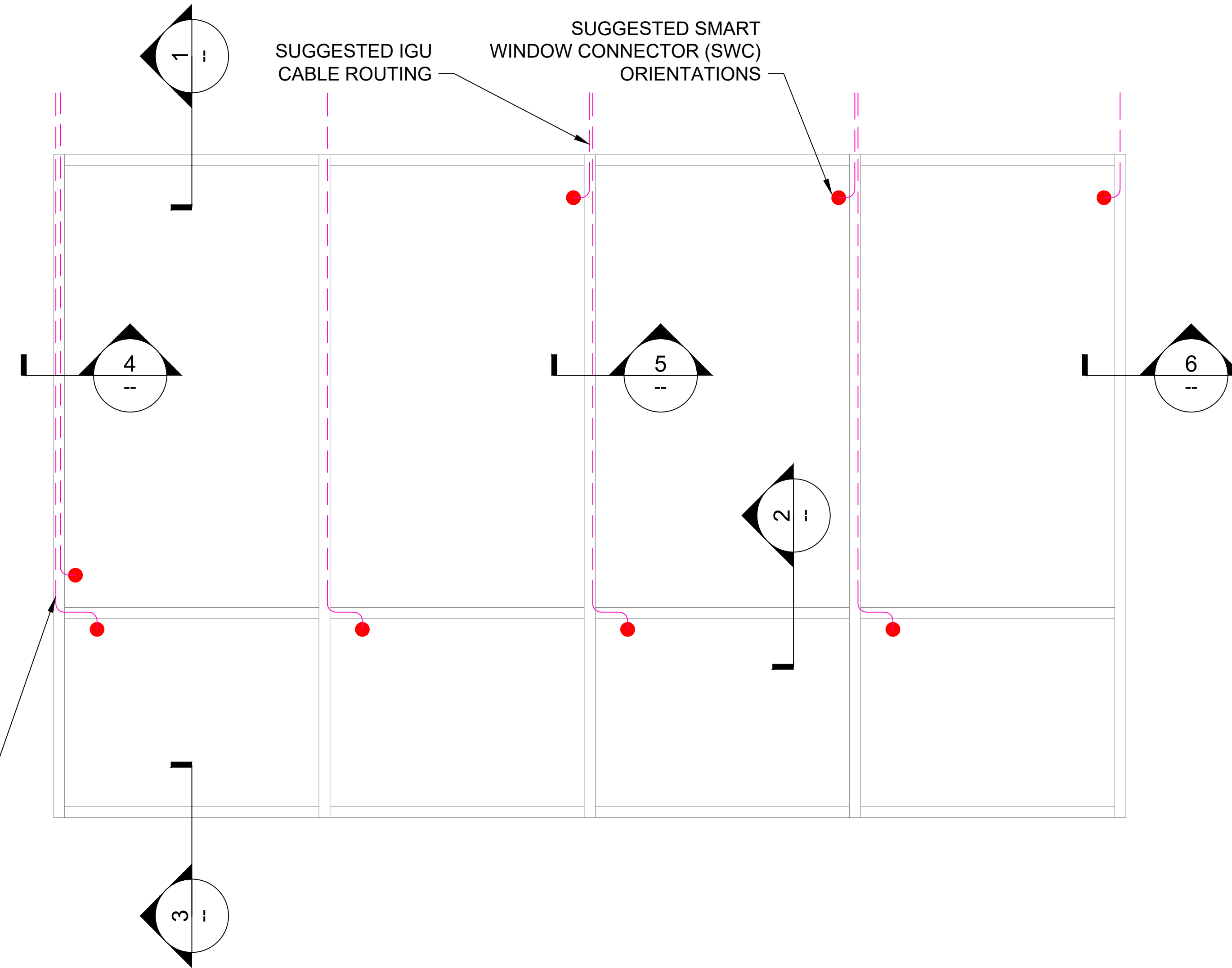
DETAIL 1  
HEAD



SMART WINDOW CONNECTOR (SWC) ON LANDSCAPE ORIENTED IGU TO BE ROUTED TO VERTICAL MULLION FOR CONNECTION TO IGU CABLE

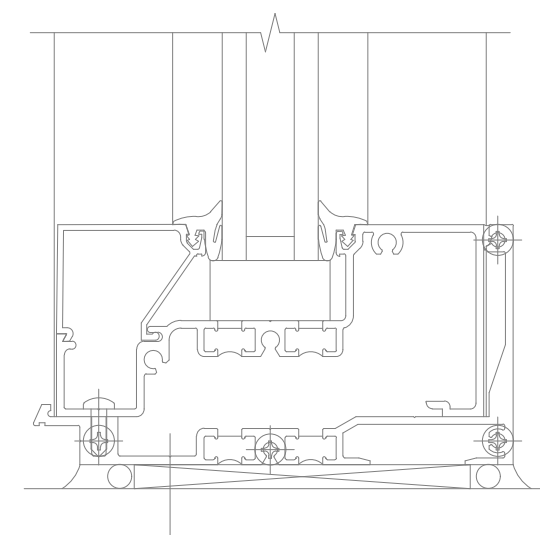
DETAIL 2  
HORIZONTAL MULLION

- NOTES:
1. INSTALLER TO PROVIDE GROMMETS AT ALL FRAME PENETRATIONS WHERE POSSIBLE TO AVOID CABLE DAMAGE.
  2. INSTALLER TO LABEL IGU CABLES WITH IGU NAME TO WHICH IT IS CONNECTED.
  3. WHEN GLAZING POCKET CANNOT ACCOMMODATE IGU/SWC, INCORPORATE SERVICE LOOP INTO IGU CABLING. MAKE CONNECTION TO SWC AS YOU ARE GLAZING AND PUSH CONNECTOR THROUGH HOLE AND INTO MULLION.
  4. NO WIRE ROUTING IN SILL.



TYPICAL ELEVATION  
SCALE: NONE

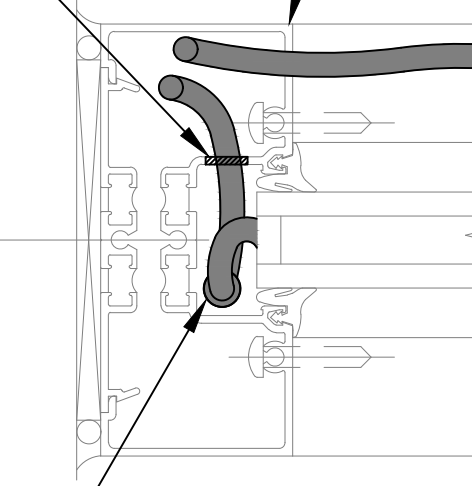
NO CABLE ROUTING IN SILL



DETAIL 3  
SILL

MIN. 7/16" DIA. HOLE FOR IGU CABLE TO FILE ALL EDGES SMOOTH. INSTALL SILICONE GROMMET, BACKFILL WITH SILICONE SEALANT.

SEE DETAIL 1

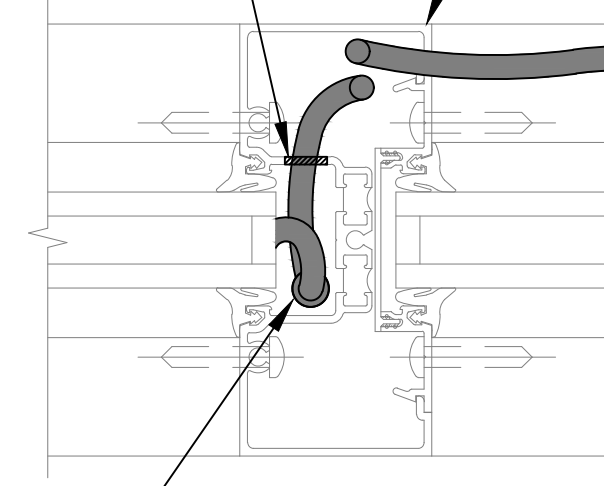


IGU CABLE CONNECTION TO IGU SWC IN GLASS POCKET

DETAIL 4  
LEFT JAMB

MIN. 7/16" DIA. HOLE FOR IGU CABLE TO FILE ALL EDGES SMOOTH. INSTALL SILICONE GROMMET, BACKFILL WITH SILICONE SEALANT.

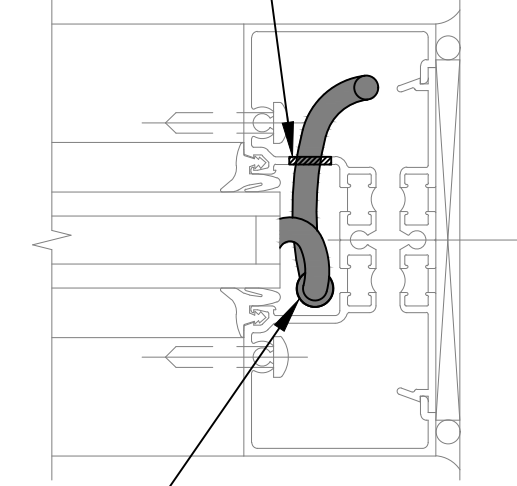
SEE DETAIL 1



IGU CABLE CONNECTION TO IGU SWC IN GLASS POCKET

DETAIL 5  
VERTICAL MULLION

MIN. 7/16" DIA. HOLE FOR IGU CABLE TO FILE ALL EDGES SMOOTH. INSTALL SILICONE GROMMET, BACKFILL WITH SILICONE SEALANT.



IGU CABLE CONNECTION TO IGU SWC IN GLASS POCKET

DETAIL 6  
RIGHT JAMB

1 INSTALLATION DETAILS: FOR KAWNEER - 451UT-EXT (SF)